



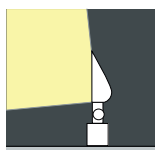
**Washlighting**  
Wide-beam illumination of spatial zones.



**Wallwashers/ceiling washlights**  
Asymmetrical light distribution for highly uniform wallwashing or ceiling washlighting.

**LED**  
24W - 48W  
2280lm - 6000lm  
Light distribution: Wide beam, Deep beam

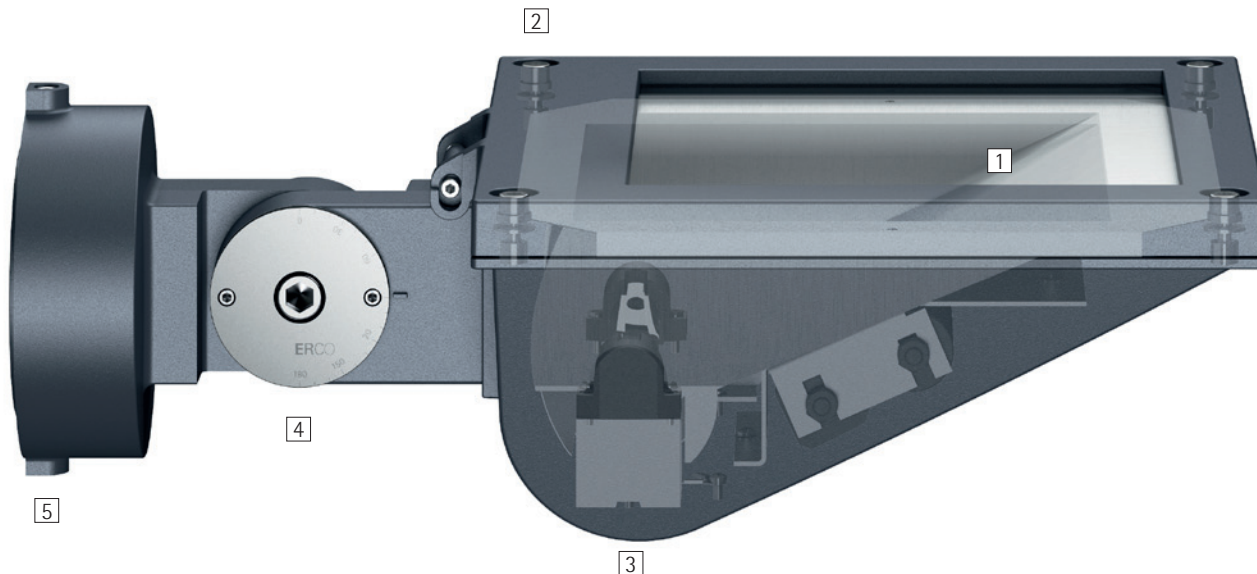
**Metal halide lamps**  
35W - 400W  
3700lm - 35000lm



**Ceiling washlights**  
Asymmetrical washlighting for uniform illumination of the ceiling.

**LED**  
24W - 48W  
2280lm - 6000lm  
Light distribution: Wide beam, Deep beam





**Structure and characteristics**

The features described here are typical of products in this range. Special versions may offer additional or varying features. A comprehensive description of the features of individual products can be found on our ERCO Light Scout website. The direct links for quick access always take the same form:

[www.erco.com/<article number>](http://www.erco.com/<article number>)

Detailed information on the features is provided from page 486.

**1 ERCO reflector**

- Aluminium, silver anodised
- Without spill light

**2 Cover frame**

- Graphit m, white (RAL9002) or Silver m
- Corrosion-resistant cast aluminium, No-Rinse surface treatment
- Double powder-coated
- Safety glass

**3 Housing**

- Graphit m, white (RAL9002) or Silver m
- Corrosion-resistant cast aluminium, No-Rinse surface treatment
- Double powder-coated
- Optimised surface for reduced accumulation of dirt
- Control gear with temperature controller, timer-ignitor, capacitor

**4 Hinge**

- Corrosion-resistant cast aluminium, No-Rinse surface treatment
- Double powder-coated
- Internal wiring
- $\pm 90^\circ$  tilt
- Graduated disc: corrosion-resistant aluminium

**5 Mounting plate**

- Corrosion-resistant cast aluminium, No-Rinse surface treatment
- Double powder-coated
- $240^\circ$  rotation

or

**Mounting bracket**

- For mounting on accessories
- Corrosion-resistant cast aluminium, No-Rinse surface treatment
- Double powder-coated
- Mounting accessories to be ordered separately

**Protection mode**

- Luminaires with mounting plate: IP65 – Dust-tight and water jet-proof
- Luminaires with mounting bracket: IP44 – Protection against foreign objects >1mm and against splashes

**Special characteristics**



High lumen packages for very high illuminances



Different housing colours



Different sizes



Lockable



Graduations for precision setting



Tiltable  $\pm 90^\circ$



Protection mode IP65



Protection mode IP44



Accessories for mounting versions



Switchable