



SPF

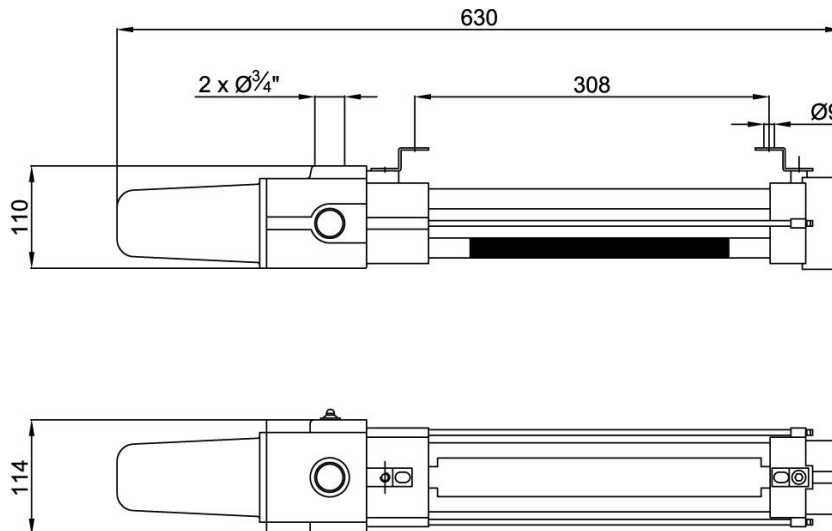
We switch on the world safely

A LIGHTING FIXTURES FOR FLURESENT TUBS

EVF..18EX



EX CODE	CE 0722 II 2GD Ex d IIC T6 - Ex tD A21 IP 66
CERTIFICATE	CESI 03 ATEX 098
DIRECTIVE	94/9/CE
STANDARDS	EN 60079-0 - EN 60079-1 - EN 61241-1 - EN 61241-0
INSTALLATION (according to EN 60079.14)	zone 1 - 2 - 21 - 22



FEATURES

EVF-18EX lighting fixtures consist of: aluminum alloy ballast holder, internal Ni-Cd batteries (discharge time: 2,5 hours), temperature-resistant tempered glass tube sealed on two aluminum bushes, two heads fitted with lamp-holders. These lighting fixtures switch on automatically when there is no voltage supply.

ACCESSORIES UPON REQUEST

Stickers.
8 W fluorescent tube.

CONSTRUCTION

Copper-free aluminium alloy body.
Shockproof and temperature-resistant borosilicate glass tube.
Standard power supply 120V,230 V 50/60 Hz.
(Other Voltages on Request)
Internal and external stainless steel ground screw.
Wiring through glass braid silicone rubber cables resistant up to 200°C.
Neoprene seals resistant to acids and hydrocarbons.
RAL 7035 grey epoxy powder coating.



Email:sales@spfsa.net



SPF

We switch on the world safely

A

CONSTRUCTION SPECIFICATIONS

EVF..18EX

Code	Lamps n°	Supply	Watt	Discharge time	Weight Kg
EVF-18EX	1	230 V 50/60 Hz	8	150'	3,50



Email: sales@spfsa.net