

EXPLOSION PROOF AUDIBLE ALARM



- Class I, Division 1, Groups C & D
- Class I, Division 2, Groups A, B, C, & D
- Class II, Division 2, Groups F & G
- weatherproof construction
- 8 selectable tones
- remote control with priority
- UL listed
- NEMA 4X
- Marine rated

1002WEP

Explosion Proof Power Alarm® Siren

TOMAR's model 1002WEP EXPLOSION PROOF POWER ALARM® siren is a rain tight solid state audible alarm, that features a choice of 8 field selectable tones plus remote control selection of 4 tones with priority. All models of 1002WEP alarms are o-ring gasketed and are UL listed for Class I, Division 1, Group C & D, Class I, Division 2, Groups A, B, C, & D, Class II, Division 2, Groups F & G, NEMA Type 4X, and marine outside (salt water) use.

Tones

Selectable by switch on sound module

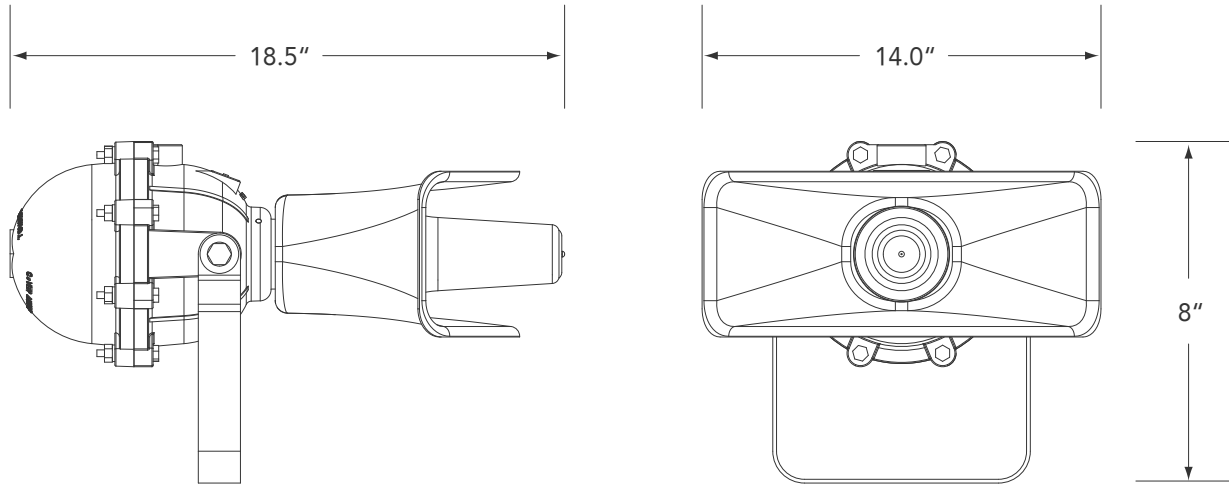
- S1 Continuously running train of 8 sounds in sequence
- S2 Wail - conventional siren
- S3 Yelp - rapid siren
- S4 Two - tone
- S5 Whoop - ascending low-high
- S6 Yeow - descending high-low
- S7 Horn - steady
- S8 Beep - slow intermittent horn

- S9 Stutter - rapid intermittent horn
- S0 REMOTE - enables remote selection of:
 - S7 Horn - steady (priority 1*)
 - S4 Two Tone - alternating (priority 2)
 - S3 Yelp - rapid siren (priority 3)
 - S1 Wail - manual siren (priority 4)

* priority 1 is the highest

Ordering Information

Model No.	Description	Voltage
1002WEP-24	Explosion proof power alarm	24VDC
1002WEP-120	Explosion proof power alarm	120VAC
1002WEP-240	Explosion proof power alarm	240VAC



Specifications

Item	Description
Volume	S7-110dba @ 10 feet
Voltage and Amperage	24VDC draws 0.8A 50/60 Hz or DC 120VAC draws 0.2A 50/60 Hz 240VAC draws 0.1A 50/60 Hz
Enclosure Construction	Weatherproof construction, fiberglass horn, cast aluminum housing
Mounting	Omni directional mounting bracket, 1/2" conduit access
Ambient Temperature Range	-55° C to +85° C -67° F to +185° F
Size and Weight	14" wide x 8" high x 18.5" long (356mm x 152mm x 445mm)
Weight	19.5 lbs (8.9kg)

Available Options

Model No.	Description
1001-WEP	60 watt speaker only, less sound module
RJ45-6	Remote control cable and plug

Architect and Engineer Specifications

Explosion proof sounder shall be Tomar model 1002 WEP or approved equal. The loudspeaker shall be UL Listed Class I, Division 1 and 2, Class II Division 2, and Class III for use in specified hazardous locations and/or combustible atmospheres as classified by the National Electric Code. The explosion proof sounder shall have 8 integrated field selectable sounds plus remote control selection of 4 sounds with priority. Speaker housing must have O-ring gasket and be NEMA 4X and marine (salt water) rated. Projector horn shall be a reflex type with polycarbonate re-entrant section. Voice coils shall be field-replaceable, and the operating temperature rating is to be -55C to 85C; -67F to 185F.