

# PLLE linear LED lighting-Harsh & Heavy Industrial Area

## Product introduction

The PLLE product Series LED Luminaires are using high-quality international brand LED chips, have extremely long lifespan. Multiple version of the LED are available, providing ideal solutions for indoor or outdoor areas to retrofit existing fluorescent fixtures.



## Product features

Model	Length	Color temp.	Nominal lumens	Wattage	Equivalent fluorescent luminaire
PLLE-2-C2-3L	735mm	5700K	3000lm	30W	2x18W
PLLE-2-C2-4L	735mm	5700K	4000lm	40W	2x36W
PLLE-4-C2-5L	1335mm	5700K	5000lm	60W	2x36W
PLLE-4-C2-8L	1335mm	5700K	8000lm	80W	2x58W

- Reliability
  - Polycarbonate, 4J impact resistant
  - Cooper free aluminum for excellent corrosion and heat transfer properties
  - IP66 protection

- Permissible ambient temperature:
  - Standard luminaire: -40°C~+55°C
  - Emergency luminaire: -25°C~+55°C
  - Available for 3000K, 4000K,5000K and 6500K
- Anti shock and vibration proof
- Mercury-free
- Instant ON without time delay
- Fixture life and years of maintenance-free operation

Ambient temperature	No. of years at 24 hours usage	No. of years at 12 hours usage
25°C	11	23
30°C	11	23
35°C	10	21
40°C	9	17
45°C	7	14
55°C	5	9

## Technical data

<b>Ambient temp</b>	-40°C ~ 55°C (Normal) -25°C ~ 55°C (Emergency)
<b>Rated input volt</b>	100~240 VAC;
<b>Power factor</b>	>0.9
<b>CRI</b>	Cool white>70, warm white>80
<b>System watt</b>	2 series: 30W/40W 4 series: 60W/80W
<b>Lumen output</b>	2 series: 2000Lm/3000Lm/4000Lm 4 series: 4000Lm/5000Lm/7000Lm/8000Lm
<b>Material</b>	Aluminum
<b>Weight</b>	2 series normal: 5kg 2 series Em: 6kg 4 series normal: 10kg 4 series Em: 12kg
<b>Terminals</b>	6mm <sup>2</sup>
<b>Out line dimension</b>	2 series: 735x180x130(mm) 4 series: 1335x180x130(mm)
<b>Backup duration &amp; lumen percentage</b>	EM1=1.5h, 25% output, EM2=3h, 25% output, EM3=3h, 20% output
<b>IP (IEC60529)</b>	IP66

# PLLE linear LED lighting-Harsh & Heavy Industrial Area

## Ordering logic

PLLE	-2	-W	-2L	-EM1	-1/6-225	-C	-N
Product Group	Length	Color Temp	Lumen output	Emergency Duration	Wire and Entry size type	Coating	Safety Switch
Hazardous linear LED	-2=2 feet length -4=4 feet length	-C1=cold temp, 5000K -C2=cold temp, 5700K -C3=cold temp, 6500K -W1=warm temp, 3000K -W2=warm temp, 4000K	-2L=2000Lm (2 feet, warm color only) -3L=3000Lm (2 feet, cold color only) -3L=3000Lm (2 feet, warm color only) -4L=4000Lm (2 feet, cold color only) -4L=4000Lm (4 feet, warm color only) -5L=5000Lm (4 feet, cold color only) -7L=7000Lm (4 feet, warm color only) -8L=8000Lm (4 feet, cold color only)	Default=non-emergency version -EM1=1.5 Hours 25% output -EM2=3 Hours 25% output -EM3*=3 Hours 20% output	-1/6-120=6mm <sup>2</sup> Single-ended 1 x M20 -1/6-220=6mm <sup>2</sup> Single-ended 2 x M20 -1/6-125=6mm <sup>2</sup> Single-ended 1 x M25 -1/6-225=6mm <sup>2</sup> Single-ended 2 x M25 -2/6-120=6mm <sup>2</sup> Through wiring 2-1 x M20 -2/6-220=6mm <sup>2</sup> Through wiring 2-2 x M20 -2/6-125=6mm <sup>2</sup> Through wiring 2-1 x M25 -2/6-225=6mm <sup>2</sup> Through wiring 2-2 x M25	Default=Cu-free Al, no coating -C=Epoxy Coating	Default=with safety switch -N=Without safety switch

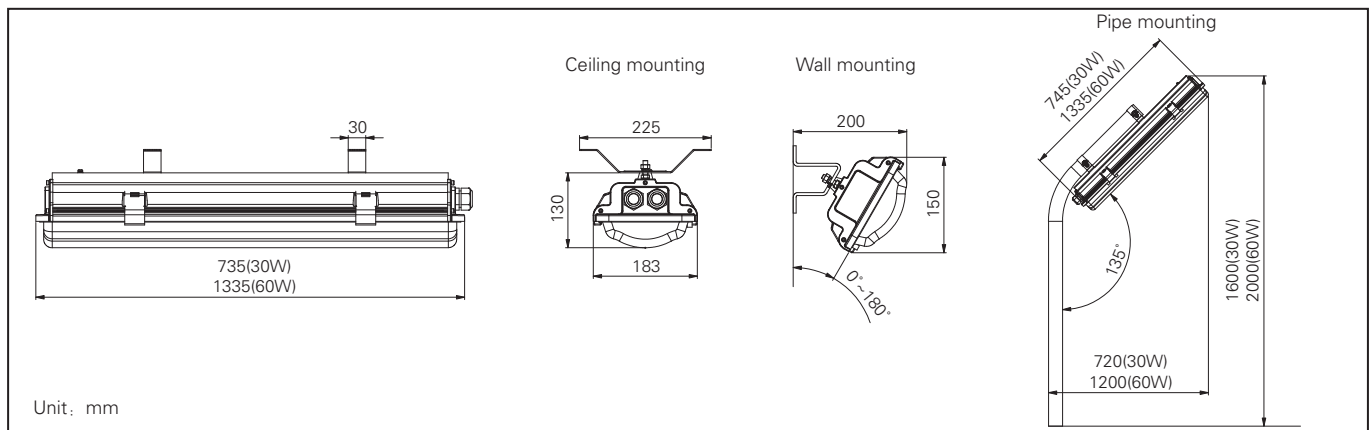
\* EM3 for 7L/8L 3L warm color / 4L cold color

## Ordering information

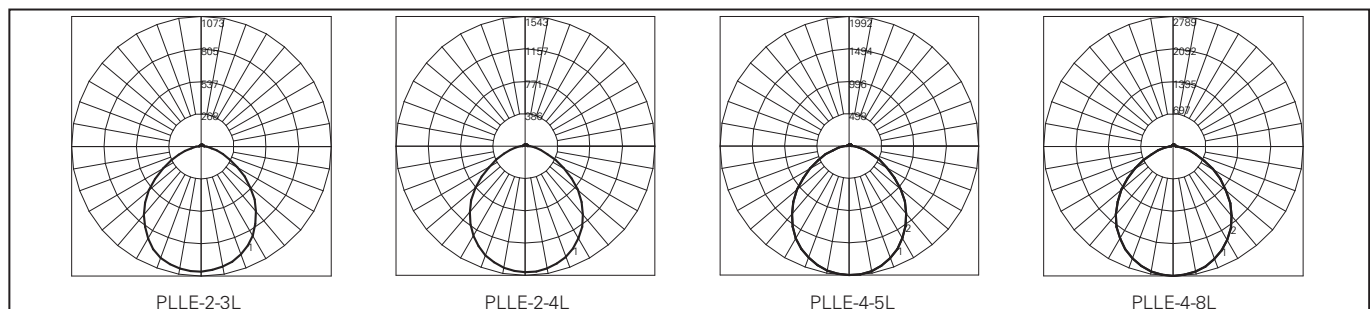
Part No.	Product Type	Ambient Ta	Lumen Output	Colour Temp	System Watt
CCL1652792	PLLE-2-C2-3L-1/6-120-N	-40°C~+55°C	3000	5700K	30W
CCL1652808	PLLE-2-C2-3L-EM1-1/6-120-N	-25°C~+55°C			
CCL1652888	PLLE-2-C2-4L-1/6-120-N	-40°C~+55°C	4000		40W
CCL1652904	PLLE-2-C2-4L-EM3-1/6-120-N	-25°C~+55°C			
CCL1652952	PLLE-4-C2-5L-1/6-120-N	-40°C~+55°C	5000		60W
CCL1652968	PLLE-4-C2-5L-EM1-1/6-120-N	-25°C~+55°C			
CCL1653048	PLLE-4-C2-8L-1/6-120-N	-40°C~+55°C	8000	80W	
CCL1653064	PLLE-4-C2-8L-EM3-1/6-120-N	-25°C~+55°C			

\* Any other types, please contact Crouse-Hinds sales.

## Dimension

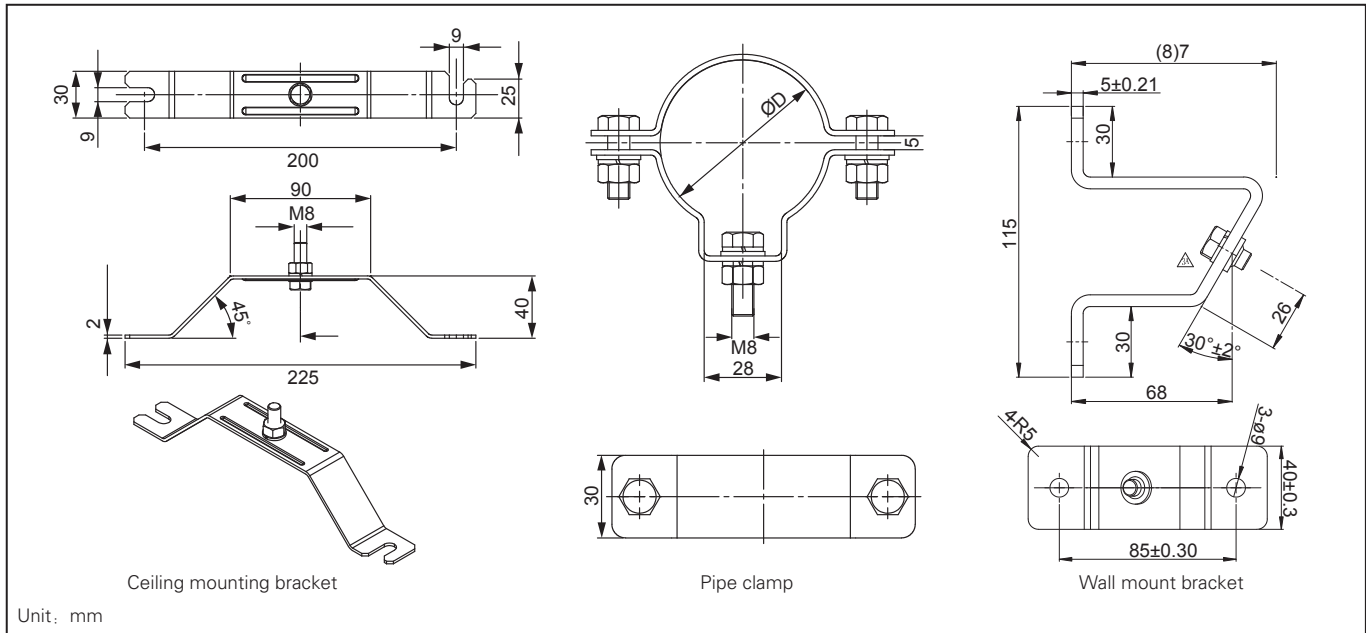


## Polar curve



# PLLE linear LED lighting-Harsh & Heavy Industrial Area

## Mounting accessories (To be ordered separately)



## Pipe mounting

Part No	Description	Qty*
CHR11076	Pipe clamp assy D42 316S/S	2
CHR11077	Pipe clamp assy D42 304S/S	2
CHR11078	Pipe clamp assy D42 plating	2
CHR11079	Pipe clamp assy D51 316S/S	2
CHR11080	Pipe clamp assy D51 304S/S	2
CHR11081	Pipe clamp assy D51 plating	2

## Wall mounting

Part No	Description	Qty*
CHR11073	Wall suspension 316S/S	2
CHR11074	Wall suspension 304S/S	2
CHR11075	Wall suspension plating	2

## Ceiling mounting

Part No	Description	Qty*
CHR11099	Ceiling mounting BKT 316S/S	2
CHR11100	Ceiling mounting BKT 304S/S	2
CHR11101	Ceiling mounting BKT plating	2

\* For above part no. need to order 2pcs for one lighting fixture.