

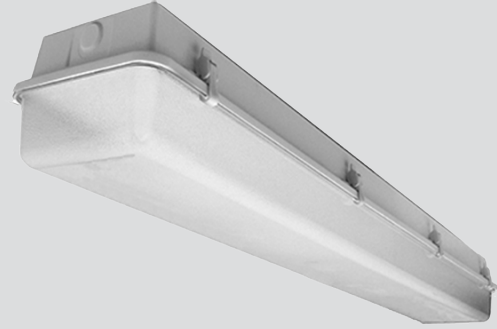


DWH-LED

Industrial/Vapor Tight LED

Client: _____
Project Name: _____

Order #: _____
Type: _____ Qty: _____



Performance Data

CRI

80+

CCT

3000K, 3500K, 4000K, 5000K

Projected Lifetime

100,000+ Hours (L70)

Dimming

0-10V dimming standard,
100% down to 10%

Operating Temperature

-30°C to +60°C Ambient

UL Listed

Suitable for dry, damp, wet
locations

| | | | | |
|------------------------|---------------------|----------------------|---|---|
| NSF Approved | UL Listed | DLC Listed | 10 Yr Warranty Including Labor | USA Buy American Act Compliant |
|------------------------|---------------------|----------------------|---|---|

Description

The DWH series is an energy efficient industrial vaportite fixture that features rugged and durable construction. This series incorporates a full metal fixture housing channel inside a reinforced fiberglass housing with a high impact diffuser and positive cam latching. The DWH series is suitable for interior and exterior applications and can be surface or chain mounted. This fixture has been designed for maximum performance in commercial, institutional and industrial environments where weathering, high temperature, humidity and dust or corrosive fumes are present.

Features

- Equipped with energy saving driver/complies with federal energy efficiency standards.
- Reinforced fiberglass housing.
- High impact acrylic/15% DR diffuser material standard. High impact 50% & 100% DR available.
- Continuous polyurethane gasketing formed to housing provides a seamless seal.
- Watertight hubs standard at each end accepts .5" conduit.
- Die-formed galvanized steel brackets join lens and housing.
- Baked white enamel finish internal channel/high reflectance.
- No holes required for surface/chain mounting.
- Optional top only hub entry or combination top and end hub entry available.
- Unitized internal/external brass mounting stud for structural integrity and continuity of ground.
- UL listed for wet locations, NSF Approved for Splash and Non-food Zones.



Ordering Information

A FIXTURE SERIES

DWH-LED Industrial Vaportite LED

B SIZE

| | |
|---|----|
| 2 | 2' |
| 4 | 4' |
| 8 | 8' |

C WATTAGE/LUMENS (SIZE 2)

22 22W/2720¹

(SIZE 4)

35 35W/3670¹

45 45W/5850^{1,3}

60 60W/7340¹

(SIZE 8)

60 60W/7340¹

90 90W/11700¹

D CCT

30 3000K

35 3500K

40 4000K

50 5000K

E VOLTAGE

UNV 120-277V

F OPTIONS

DM Dimming (0-10V)

CSC Control Scope Connected

EM Emergency

MS Motion Sensor²

MB Mounting Bracket⁴

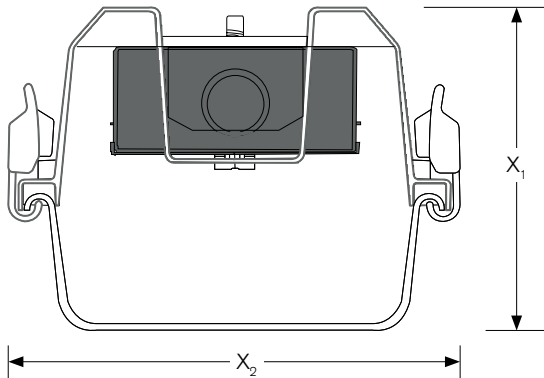
¹ Delivered Lumens (5000K)

² Utilizes Wattstopper FSP-211 sensor (see page 4 for more info)

³ DLC Listed (View matrix on 2nd page for more info)

⁴ See Page 4 for additional information on Mounting Bracket option

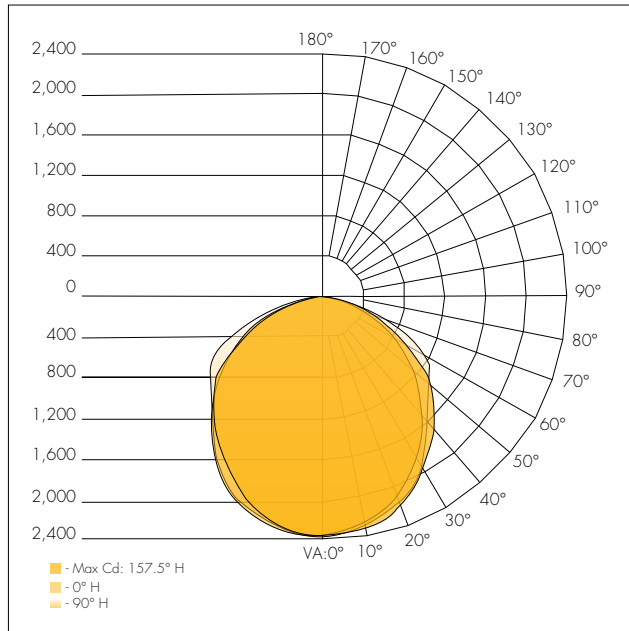
Dimensions



| | Inches |
|----------------|--------|
| X ₁ | 5.00 |
| X ₂ | 6.625 |

Photometrics

Model 4' 60W 4000K



Zonal Lumen Summary

| Zone | Lumens | %Luminaire |
|--------|---------|------------|
| 0-30 | 1,834.5 | 25.8% |
| 0-40 | 2,991.1 | 42.1% |
| 0-60 | 5,256.0 | 74% |
| 60-90 | 1,616.3 | 22.7% |
| 70-100 | 803.8 | 11.3% |
| 90-120 | 188.2 | 2.6% |
| 0-90 | 6,872.3 | 96.7% |
| 90-180 | 233.1 | 3.3% |
| 0-180 | 7,105.4 | 100% |

Lumen Output

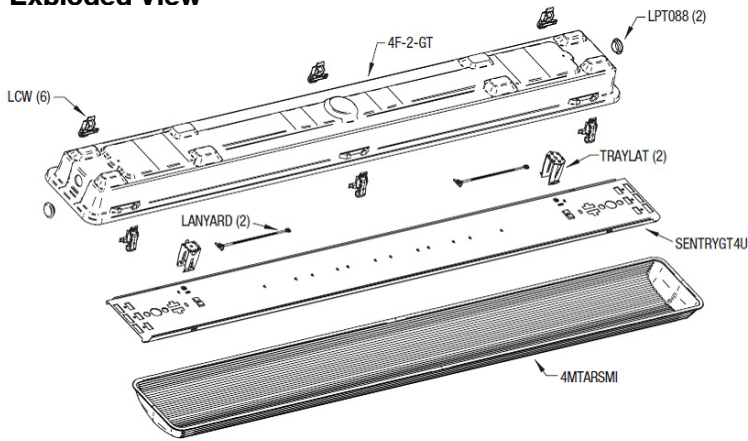
Lumen Chart

| Wattage | 5000K | 4000K | 3500K | 3000K |
|---------|-------|-------|-------|-------|
| 22 | 2720 | 2630 | 2580 | 2530 |
| 35 | 3670 | 3560 | 3480 | 3410 |
| 45 | 5850 | 5670 | 5550 | 5440 |
| 60 | 7340 | 7120 | 6980 | 6830 |
| 90 | 11700 | 11340 | 11110 | 10870 |

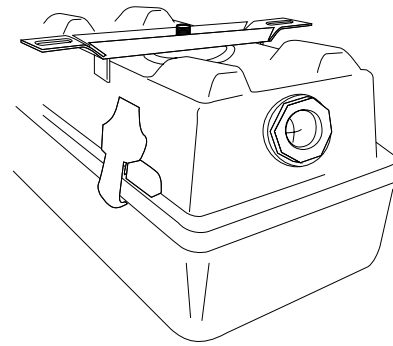
DLC Listed

| Wattage | 5000K | 4000K | 3500K | 3000K |
|---------|-------|-------|-------|-------|
| 45W | | X | | |

Exploded View



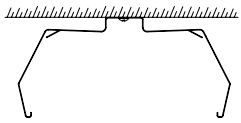
Mounting Bracket Option



Mounting Bracket

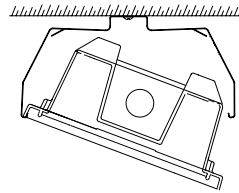
Includes: 1 set of (2) mounting brackets
- 1 set to be used per 4-foot section

Installation



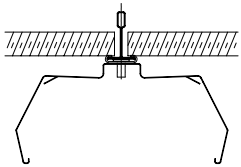
Install Mounting Bracket.

- screw hardware by others
- t-bar mounting hardware by others

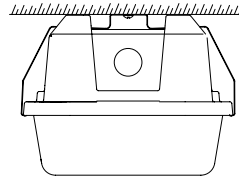
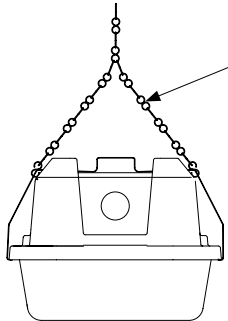


Install One Side of Housing into Bracket.

Rotate Up and Snap Other Slide of Housing into Bracket.



Chain & Hook by Others.



Install Diffuser Once Unit is Securely Installed with Bracket.

Step Dimming & Bi-Level

FSP-211B-D

The FSP-2x1B is a family of passive infrared (PIR) outdoor sensors that raise or lower the electric lighting level to high, low or off based on motion and/ or daylight contribution. Typically, once the sensor stops detecting movement and the time delay elapses, lights will first fade to low mode, and eventually switch off. When motion is detected, the sensor ramps the light level to high mode unless the daylight contribution is sufficient.

The integral photocell can also switch the lights on and off for dusk to dawn control, so that lighting remains on overnight even without motion detection. The sensors control 0-10VDC or nondimming LED drivers or ballasts. The low voltage FSP-201B may be used with dim-to-off drivers or ballasts.

Initial setup and subsequent sensor adjustments are made using a Wireless Handheld Configuration Tool (FSIR-100). This tool enables adjustment of sensor parameters including high/low mode, sensitivity, time delay, cut off and more.

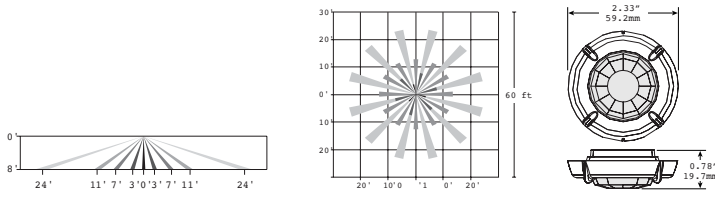
The FSIR-100 can read current parameter settings, and stores up to six sensor parameter profiles to speed commissioning of multiple sensors.

The FSP-2x1B family is available in three configurations for mounting inside a fixture, to the outside of a fixture or enclosure via a 1/2" knockout, or to a pole.

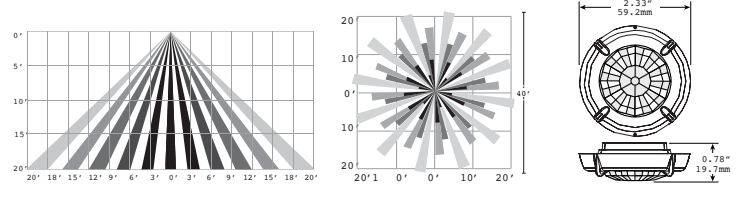


Coverage & Dimensions

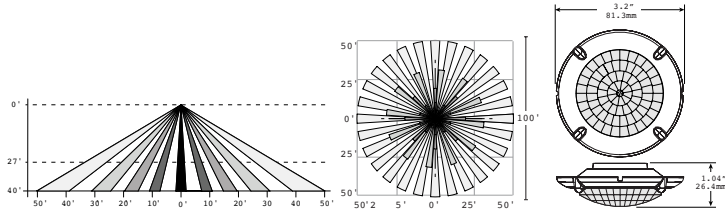
The FS-Lx lenses work with FSP-211 motion sensors to provide multi-level lighting control based on motion and the ambient light level. Four lens choices provide flexibility for varying mounting heights.



FSP-L2
360° lens, maximum coverage 48' diameter from 8' height



FSP-L3
360° lens, maximum coverage 40' diameter from 20' height



FSP-L7
360° lens, maximum coverage 100' diameter from 40' height