



SLL407 Flood Light is a compact flood light without control gear housing. The reflector is made of two parts. One is fixed to the housing and the other to the hinge down cover. This allowing relamping through the flood light rear part without modifying the initial position. The main optical system incorporates a baffle in aluminum over the lam which slightly reduces light pollution and direct glare.

Technical Information:

Body: Die cast aluminum alloy (UNI5076) body with polyester powder paint

Reflector: High purity aluminum (UNI9001/4) polished and anodized

Glass: 5mm Thick tempered safety glass, thermal shock resistant

Bracket: Galvanized and painted steel fixing bracket with goniometric scale for the direction of the fitting

Input Voltage: 220-240V, 50Hz

Lamp Holder: K12s-36

Application:

- Outdoor sports facilities
- Architecture structures

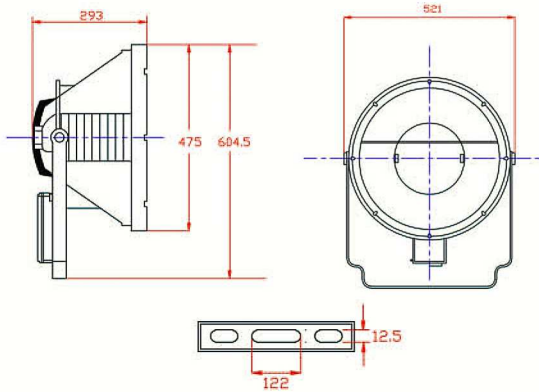


Accessories



INSTALLATION

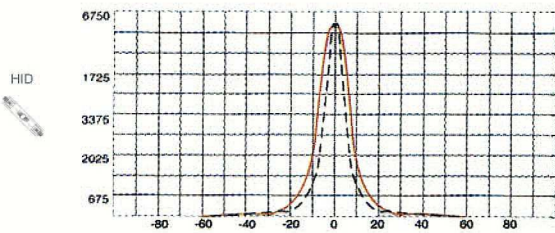
Direct mounting of the bracket by 3 holes



MAINTENANCE

Direct lamp access by opening the 4 screws at the rear cover

Light distribution curve



Code	Lamp Type	Wattage	Lamp Type	IP Rating	Gross Weight
4071	K12	1000W	M H	IP65	11.0
4073	K12	1500W	MH	IP65	11.0