



TLFL 2000A uses tubular 1000 to 2000W high pressure sodium vapour or metal halide lamps. For use in Sports lighting and extensive areas such as stadiums, recreational areas, airport aprons, racecourses, open-air car parks, etc

Technical Information:

Body: Die cast aluminum alloy (UNI5076) body with polyester powder paint

Reflector: High purity aluminum (UNI9001/4) polished and anodized

Glass: 5mm Thick tempered safety glass, thermal shock resistant

Bracket: Galvanized and painted steel fixing bracket

Input Voltage: 220-240V, 50Hz

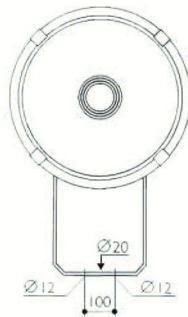
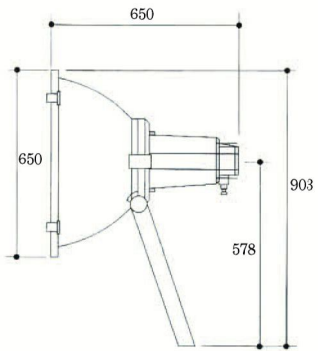
Lamp Holder: E40

Application:

- Stadiums
- Architecture structures
- Airport lighting



CE    **IP55** Surface Area: 1.327 m²



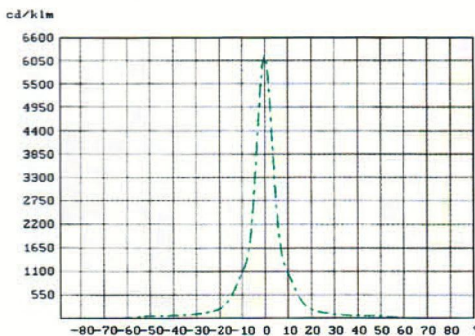
INSTALLATION

Direct mounting of bracket by Ø12 (2) and Ø20 (1)

MAINTENANCE

Direct access to lamp by opening 5 toggle clamps

Light distribution curve



Code	Lamp Type	Wattage	Lamp Type	IP Rating	Gross Weight
20003	E40	1000W	M H	IP65	14.5
20004	E40	1500W	MH	IP65	14.8
20006	E40	2000W	MH	IP65	15.0