



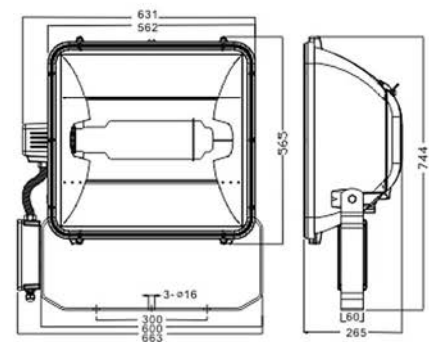
## Applications

- Building surface
- Garden lighting
- Display lighting
- Stadium lighting

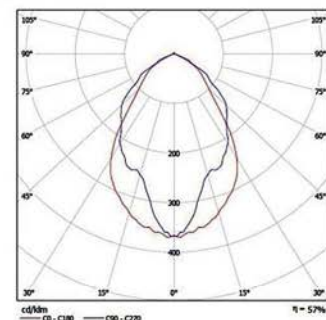
## Features

- High-pressure Aluminum die-cast body coated with epoxy powder.
- High purity anodized hammered aluminum reflector.
- Remote control gear box:2000W
- Thermal resistant tempered glass.
- Steel mounting bracket coated with epoxy powder.
- Available colors: Dark grey, Black, White
- Concentrate or open light both available.
- Options: including clapboard or without.

## Dimensions



## Photometric



Type	Lamp holder	Voltage	IP
2000W (Tubular metal halide) Floodlight without clapboard	E40	220~240V 50/60Hz	65
2000W (Tubular metal halide) Floodlight with clapboard	E40	220~240V 50/60Hz	65
2000W (Tubular metal halide) projecting light without clapboard	E40	220~240V 50/60Hz	65
2000W (Tubular metal halide) projecting light with clapboard	E40	220~240V 50/60Hz	65