



## TLFL311

### Technical Information:

Body: Die cast aluminum alloy (UNI5076) body with polyester powder paint

Reflector: High purity aluminum (UNI9001/4) polished and anodized

Glass: 5mm Thick tempered safety glass, thermal shock resistant

Bracket: Galvanized and painted steel fixing bracket

Input Voltage: 220-240V, 50Hz

Lamp Holder: E40

### Application:

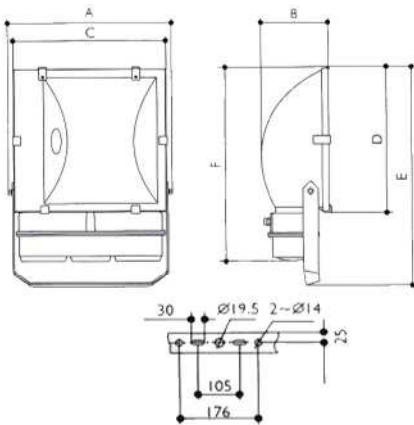
- Stadiums
- Architecture structures
- Airport lighting



TLFL311-1

TLFL311-01

CE  IP65 Surface Area: 1.327 m<sup>2</sup>

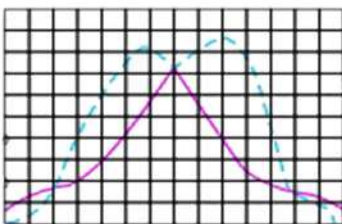


### INSTALLATION

Direct mounting of bracket by  $\varnothing 12$  (2) and  $\varnothing 20$  (1)

### MAINTENANCE

Direct access to lamp by opening toggle clamps



Flood Light

Code	Lamp Type	Wattage	IP Rating	A	B	C	D	E
311-0	E40	1000W-MH	IP65	565	230	520	487	733
311-2	E40	1000W-HPS	IP65	565	230	520	487	733
311-3	E40	1000W-MH	IP65	565	230	520	487	733
311-4	E40	1000W-HPS	IP65	565	230	520	487	733