



Technical specification:

Body: Die cast aluminum alloy UN 5076, cover – UV resistant technical polymer with RAL 7035 Polyester powder coating.

Mounting: Pole top Ø60

Diffuser: Tempered heat resistant glass.

Lamp Holder: White porcelain with screw socket type E40.

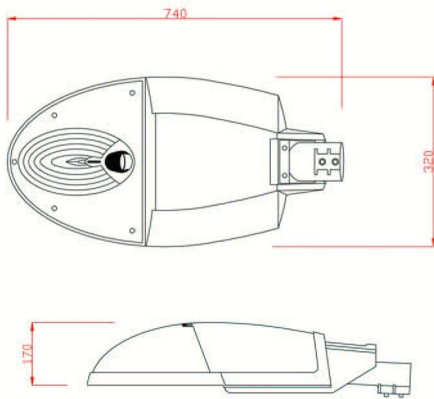
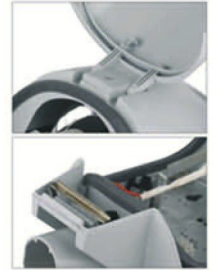
Control Gear: Top Lift cover for easy access.

Lamp: High Pressure Sodium or Metal Halide.

Protection Degree: IP65 Optic, IP45 Wiring chamber.
Insulation Class: I.

Application:

- Industrial areas
- Residential areas
- Car parks



IP65 Surface Area: 0.036 m²

Accessories



Installation:

On wall bracket Ø42-60 mm

On straight lamp post or side arm with spigot Ø60 mm

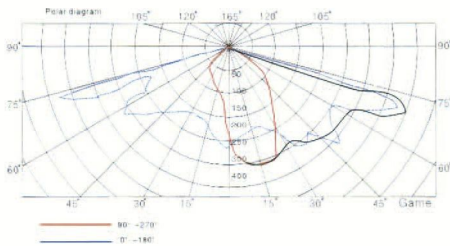
4 to 8 m depending on the light source used

Maintenance:

Stainless steel buckles with spring for operation

Top-lift cover for easy repair and maintenance

Light distribution curve



Code	Lamp Type	Wattage	Lamp Type	IP Rating	Gross Weight
3402	E40	70W	M H	IP65	7.9
3403	E40	150W	M H	IP65	8.7
3404	E40	250W	M H	IP65	10.2
3405	E40	400W	M H	IP65	12.3
3408	E40	70W	HPS	IP65	7.9
3409	E40	150W	HPS	IP65	8.7
3411	E40	250W	HPS	IP65	10.2
3412	E40	400W	HPS	IP65	12.3