



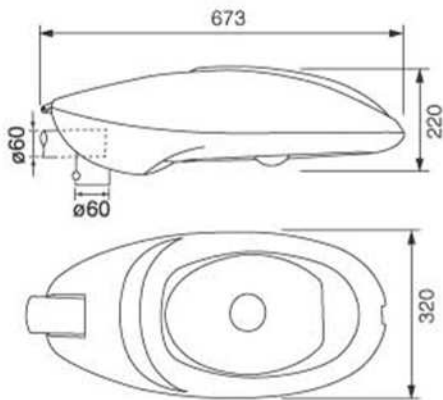
TLSSL-004B

Technical specification:

- Shell is made of cast aluminum under high pressure and the treatment of plastics-spraying under static electricity is done in its outer surface.
- Reflector is made of pressed highly pure aluminum board and oxidizing treatment is done in anode in its surface.
- Stainless steel hasp.
- High temperature resistant seal tape made of silicon rubber.

Application:

- Highway
- Residential areas
- Local roads



Installation:

On wall bracket Ø42-60 mm

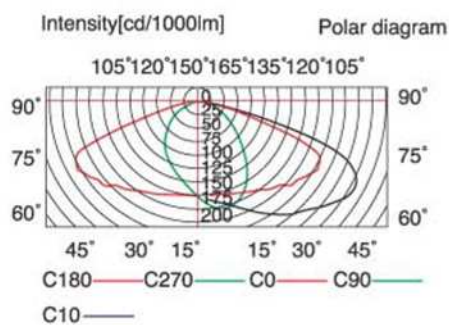
On straight lamp post or side arm with spigot Ø60 mm

4 to 8 m depending on the light source used

Maintenance:

Stainless steel buckles with spring for operation

Top-lift cover for easy repair and maintenance



Code	Lamp Type	Wattage	Lamp Type	IP Rating	Gross Weight
004B01	E40	250W	MH	IP65	9.8
004B02	E40	400W	MH	IP65	12.0
004B03	E40	250W	HPS	IP65	9.8
004B04	E40	400W	HPS	IP65	12.0