



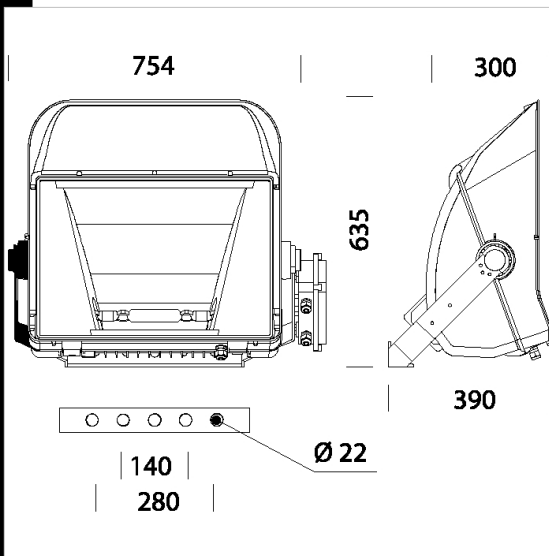
**Download**

- DXF 2D  
- 1808.dxf
- 3DS  
- disano\_1808\_olympic.3ds
- 3DM  
- disano\_1808\_olympic.3dm
- Montaggi
- 1808\_9\_olympic.pdf
- cabl\_olympic\_r\_caldo.pdf
- cambio lampada olympic.dxf
- vetro 1 olympic.dxf
- vetro olympic.dxf
- cambio lampada olympic.dxf
- vetro 1 olympic.dxf
- vetro olympic.dxf
- 1808\_9\_olympic.pdf
- 1808\_9\_olympic hot restrikke.pdf



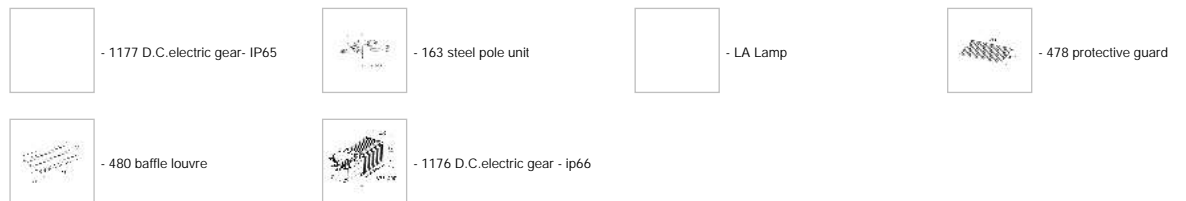
**1808 Olympic - asymmetric LA**

Housing: in die-cast aluminium EN AB 46100.  
 Cover: in die-cast aluminium EN AB 46100 with cooling fins. Rear lamp housing access. Hinge opening, with stainless steel latches.  
 Reflector: asymmetric, in polished aluminium 99.85, anodically oxidized and polished, the luminous flux can be adjusted to obtain 4 different photometric distributions.  
 Diffuser: tempered glass, 5 mm thick, resistant to thermal shock and impact (UNI EN 12150-1:2001 tests). 20°glass tilt angle to obtain high asymmetry louvre efficiency and maximum luminous intensity.  
 Coating: polyester resin based powder paint, resistant to corrosion and saline environments.  
 Lamp holder: adjustable in 4 positions to change photometric distribution in relation to the installation position.  
 Electric gear: 230V/50Hz power supply (1000W) or 400V (2000W) wire terminated with admiralty brass clamps, silicone insulation with fibreglass braid, cross-section 2.5 sq mm. 2P+T terminal block, maximum allowed lead cross section 6 sq mm.  
 Standard supply: tool-free maintenance operations. Disconnecting switch supplied to interrupt the line during maintenance.  
 Equipment: silicone rubber gasket. ½ Gas nylon cable gland.  
 Galvanized steel bracket coated with goniometric scale. Stainless steel external screws.  
 Air recycle valve.  
 Regulations: Produced according to applicable EN60598-1CEI 34-21 standards, degree of protection according to EN 60529 standards.  
 Wind surface: L:1400cm² F:2300cm².



Code	Gear	Kg	Lumen-K-CRI	WTot	Base	Colour
415210-00	S	19.18	MAX-TS 1000 LA---	1046 W	by wire	GREY/GRAFITE
415211-00	S	19.18	MAX-TS 2000 LA-190000lm-5600k-Ra 90	2044 W	by wire	GREY/GRAFITE
415211-49	S	17.90	MAX-TS 2000 LA---	0 W	by wire	GREY/GRAFITE
415210-99	CNR	41.88	MAX-TS 1000 LA---	1098 W	by wire	GREY/GRAFITE
415211-99	CNR	41.88	MAX-TS 2000 LA-190000lm-5600k-Ra 90	2133 W	by wire	GREY/GRAFITE

**Accessories**



The reported luminous flux is the flux emitted by the light source with a tolerance of ± 10% compared to the indicated value. The W tot column indicates the total wattage absorbed by the system without exceeding 10% of the indicated