

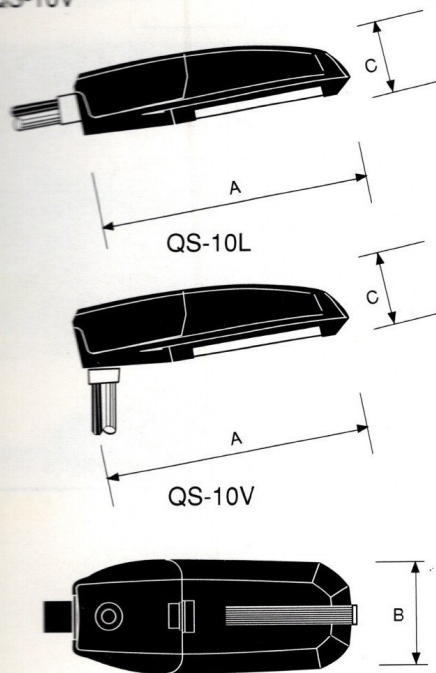
QS-10



QS-10L



QS-10V



	A	B	C	kg
QS-10L	832	353	223	9,8
QS-10V	832	353	223	9,8

Body: Pressure die-cast aluminium.
Polypropylene gear access canopy.

Reflector: Anodised and sealed single piece aluminium.

Cover: Toughened glass. Access to the lamp from bottom.

Mounting: Types "L" lateral - Ø 60 x 100 mm.
Types "V" vertical - 0°, 5°, 10° and 15° - Ø 60 x 100 mm.

Finish: Colour in beige RAL 1015. Other colours on request.
Gear cover in black colour.

IP-66
CLASS I
CLASS II
Cx = 0,604
S = 0,1568 m²

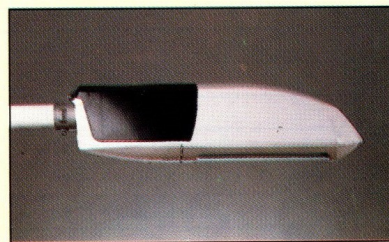
	Code	Control gear (W)	Price
QS-10L	103.011	MV 250	
	103.091	MV 250-PR	
	103.021	MV 400	
	103.101	MV 400-PR	
	* 103.031	HPS 150	
	* 103.111	HPS 150-PR	
	* 103.041	HPS 250	
	* 103.121	HPS 250-PR	
	* 103.051	HPS 400	
	* 103.131	HPS 400-PR	
	* 103.061	HPS 600	
	* 103.141	HPS 600-PR	
	Indicate lamp	MH 250	
	Indicate lamp	MH 400	

QS-10V	103.311	MV 250	
	103.391	MV 250-PR	
	103.321	MV 400	
	103.401	MV 400-PR	
	* 103.331	HPS 150	
	* 103.411	HPS 150-PR	
	* 103.341	HPS 250	
	* 103.421	HPS 250-PR	
	* 103.351	HPS 400	
	* 103.431	HPS 400-PR	
	* 103.361	HPS 600	
	* 103.441	HPS 600-PR	
	Indicate lamp	MH 250	
	Indicate lamp	MH 400	

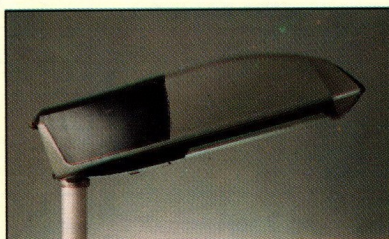
Note: A single coupler is needed to attach on to cross or bracket (L) and column (V). It can be installed to the desired position easily .

On request:
CLASS II, please enquire for price.
Vertical "V" coupling for Ø 76 x 130 mm, higher price:

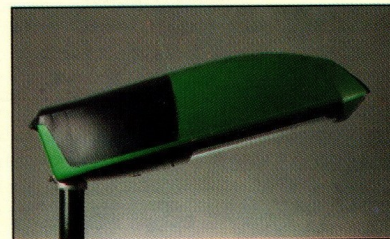
Colours on request.



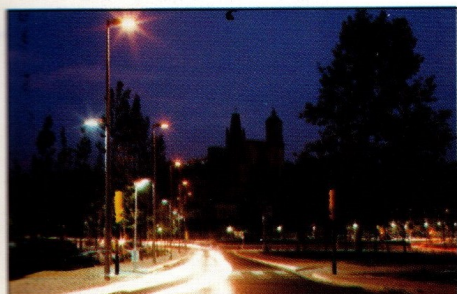
RAL 9010



RAL 7039



RAL 6007



North Access - Girona