



F Series Floodlights

INDUSTRIAL and SPORTS LIGHTING 400 to 1500 watt HID

A proven track record of outstanding performance has made the Wide-Lite F Series floodlight the industry standard. Heavy-duty construction, a choice of HID lamp types, and four reflector options provide the flexibility for superior industrial and sports lighting.

APPLICATIONS

- General Floodlighting
- Airport Ramps and Aprons
- Parking Lots
- Construction Sites
- Tennis Courts
- Athletic Fields

SPECIFICATIONS

HOUSING

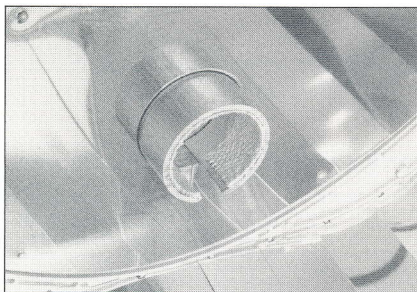
Die-cast aluminum alloy with integrally-cast heat dissipating fins and a built-in aiming device.

REFLECTOR

High purity anodized aluminum reflectors, assembled without machine forming to assure maximum efficiency.

SOCKET

Pre-wired grip-type mogul base socket. Glass end of the lamp is held in precise photometric alignment and protected from breakage by a patented "Stabilux" socket.

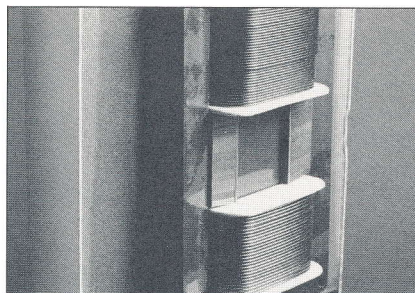


LAMP ACCESS

A gasketed and removable socket assembly provides lamp access from below.

LENS

$\frac{7}{32}$ " glass, tempered to withstand thermal and physical shock; held by die-cast aluminum frame and sealed to housing flange by an extruded gasket and stainless steel screws to provide a sealed optical assembly.



BALLAST

High power factor ballast designed for -40°F starting temperature HPS (-20°F Metal Halide/Mercury Vapor). Lamp current crest factor does not exceed 1.65. Coil and windings are copper; core and coil are encapsulated in a solid polyester resin compound with the capacitor located outside the encapsulation for ease of maintenance. Limiting

temperature of the insulation system is Class H (180°C) with temperature rise in the windings one full class below. Ballast components enclosed in a drawn aluminum container. Fixture and ballast arranged as separate but integral components.

MOUNTING

Cast aluminum ballast base provides slip fitter for 2" standard vertical pipe tenon.

GASKETS

High temperature gaskets provide positive weatherproof seal.

FASTENERS

All Corrosion Resistant

FINISH

Corrosion-resistant industrial gray.

U. L. LISTED

(Most models; consult factory for U. L. file card.)

USER PROTECTION

Published three-year limited warranty.

Item No.

WideLite®

ORDERING GUIDE — F SERIES FLOODLIGHTS

Catalog Number ⁽¹⁾	Ballast Data ⁽²⁾			Ballast Type	Est. Shpg. Wt. (lbs.)	
	Primary Voltage	Line Watts	Line Current Starting Oper.			
1500 Watt Metal Halide (or 1000 Watt Mercury Vapor at 1500 watt operation)						
FM-1500-()-208	208	1610	*	13.50/7.80	Regulating	92
	240/277		*	6.75/5.85		
FM-1500-()-480	480	1610	*	3.40	Regulating	92
1000 Watt Metal Halide/Mercury Vapor						
FM-1000-()-QV	120/208	1070	*	9.2/5.3	Regulating	90
	240/277		*	4.6/4.0		
FM-1000-()-480	480	1070	*	2.3	Regulating	90
400 Watt Metal Halide/Mercury Vapor						
FM-400-()-QV	120/208	455	*	4.0/2.30	Regulating	64
	240/277		*	2.0/1.75		
FM-400-()-480	480	455	*	1.0	Regulating	64
1000 Watt High Pressure Sodium						
FS-1000-()-QV	120/208	1090	*	9.2/5.3	Regulating	92
	240/277		*	4.6/4.0		
FS-1000-()-480	480	1090	*	2.3	Regulating	92
400 Watt High Pressure Sodium						
FS-400-()-QV	120/208	465	*	4.3/2.48	Regulating	66
	240/277		*	2.2/1.86		
FS-400-()-480	480	465	*	1.07	Regulating	66

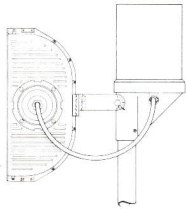
(1)Specify reflector type from distribution guide.

(2)All ballasts are high power factor premium grade, capable of starting the lamp to -20°F (-40°F HPS) unless otherwise specified.

* Less than operating

CAUTION: HID luminaires should be operated on grounded systems only. Ungrounded power distribution systems may carry high transient voltages which can cause failure of any type electrical equipment.

OPTIONS (Factory Installed)

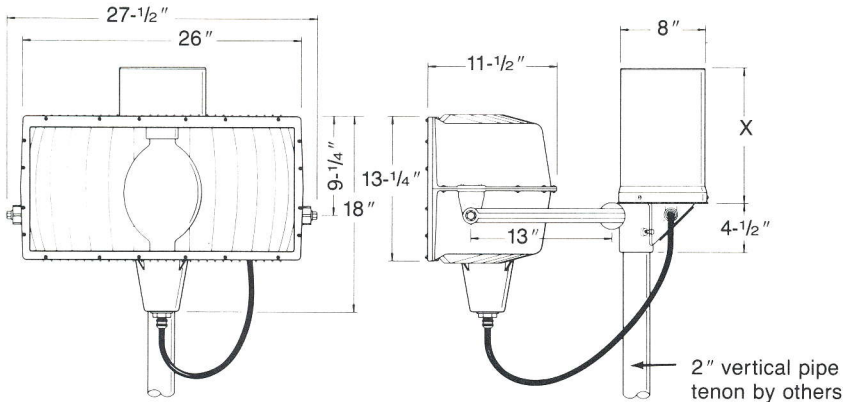
Description	Component Catalog No.	Description	Component Catalog No.
<p>"LiteMatic" Auxiliary Lighting Patented, solid state "LiteMatic" emergency/auxiliary systems, and for cold weather operation down to -70° at extra cost. To order, specify "LQ-70" as catalog number suffix. Example: FM-1000-A-QV-LQ70.</p>	LQ-70	<p>Vertical Floodlight Available at no extra cost. Ordering example: FM-1500-B-480-V.</p> 	V
		<p>Special Coatings F Series floodlights are available with special coatings for corrosive atmospheres (consult factory).</p> <p>Marine/Hazardous Applications Specially constructed versions of the F Series floodlight for harsh marine and hazardous location lighting are available. Refer to MF-HAZ Series floodlight catalog sheet, Bulletin 0344.</p>	

DISTRIBUTION GUIDE

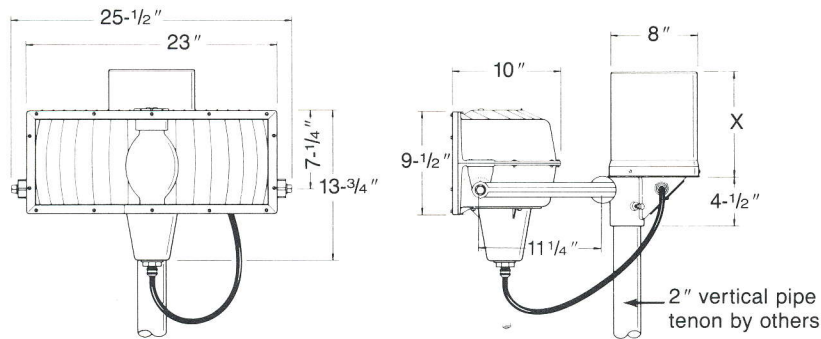
Mercury Vapor/Metal Halide (Phosphor Coated)			Metal Halide (Clear)			High Pressure Sodium		
Catalog No.	Beam Spread Hor. × Vert.	NEMA Type	Catalog No.	Beam Spread Hor. × Vert.	NEMA Type	Catalog No.	Beam Spread Hor. × Vert.	NEMA Type
			1500w					
			FM-1500-B	32° × 48°	3 × 4			
			FM-1500-C	140° × 107°	7 × 6			
			FM-1500-D	130° × 104°	7 × 6			
			1000w			1000w		
FM-1000-A	144° × 135°	7	FM-1000-B	32° × 50°	3 × 4	FS-1000-B	34° × 100°	3 × 6
FM-1000-B	140° × 140°	7	FM-1000-C	140° × 108°	7 × 6	FS-1000-C	146° × 126°	7 × 6
FM-1000-C	148° × 138°	7	FM-1000-D	134° × 105°	7 × 6	FS-1000-D	140° × 124°	7 × 6
FM-1000-D	140° × 135°	7						
			400w			400w		
FM-400-A	144° × 132°	7						
FM-400-B	126° × 130°	6 × 7	FM-400-B	30° × 50°	3 × 4	FS-400-B	27° × 52°	2 × 4
FM-400-C	148° × 131°	7	FM-400-C	146° × 105°	7 × 6	FS-400-C	146° × 105°	7 × 6
FM-400-D	136° × 130°	7	FM-400-D	120° × 90°	6 × 5	FS-400-D	130° × 93°	7 × 5

DIMENSIONS

1500 and 1000 Watt Models



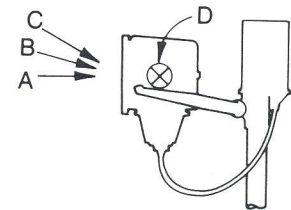
400 Watt Models



X Dimension Regulating

Regulating	X Dimension
Metal Halide/ Mercury Vapor	
1500w	12-1/2"
1000w	12-1/2"
400w	9-1/2"
High Pressure Sodium	
1000w	12-1/2"
400w	12-1/2"

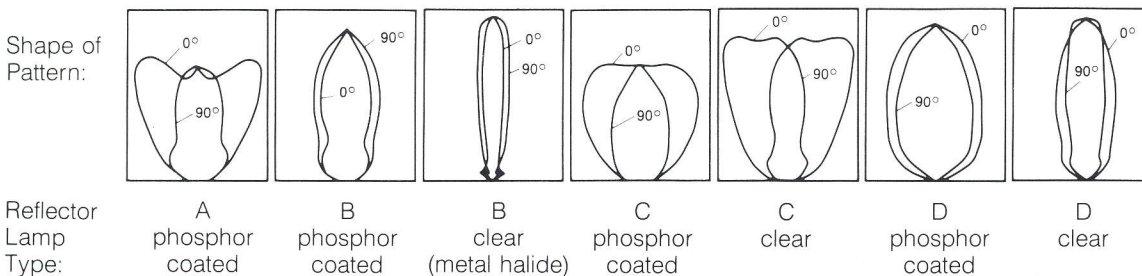
EFFECTIVE PROJECTED AREA



Wind Direction	Effective Projected Area in Ft. ²
1500w	
1000w	
A (0°)	3.09
B (15°)	2.93
C (30°)	2.76
D (Side)	1.86
400w	
A (0°)	2.11
B (15°)	1.85
C (30°)	1.74
D (Side)	1.31

TYPICAL DISTRIBUTION PATTERNS

- NOTES: 1. Drawings show shape of patterns only and are not to scale.
2. A and B reflectors are of specular aluminum; C and D reflectors are of diffusing aluminum. Type A reflectors are not suitable for clear lamps.



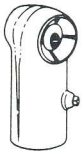
ACCESSORIES (Field Installed)

Fused Ballasts

120v, 277v systems F-F1
208v, 240v or 480v systems F-F2
Fuses are KTK 30 amp unless otherwise specified; available at extra cost.

Mast Fitters

NOTE: Mast fitters for 2" std. pipe require a tenon ht. of 4-5/8" min.



MF-1

Mast fitter for 2" standard pipe; supplied at no cost for floodlights without integral ballasts when specified on order.
FM-1000-A-M.

Shpg. wt. 2-1/2 lbs.

Adapter for standard lowering devices or mounting on conduit stems

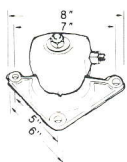


TH-1

Equips floodlights for installation on standard lowering mechanisms. Base tapped for 1-1/4" pipe. Available at extra cost in place of mast fitter on 1500, 1000 and 400 watt floodlights without integral ballasts when specified on order: FM-1000-A-TH1.

Shpg. wt. 2 lbs.

Trunnion Base Mount



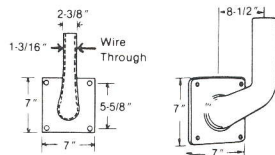
HV-1

Cast aluminum. Calibrated for horizontal adjustment. Supplied at extra cost in place of mast fitter on floodlights without integral ballasts when specified on original order: FM-1000-A-HV1.

Shpg. wt. 3 lbs.

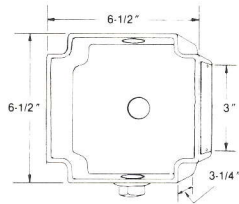
Wall Mounts

Designed to permit mounting of floodlights on flat vertical surfaces. All are constructed of quality cast aluminum alloy.



WB-1

Wall bracket for vertical surfaces only. Shpg. wt. 4-1/2 lbs.

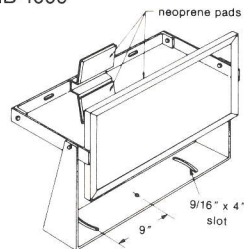


WB-5

For use with WB-1 wall mount to provide surface mounted wiring; tapped for two 3/4" pipe entrances. Has wiring compartment with gasketed cover plate. Shpg. wt. 3-1/2 lbs.

Shock Mounting Brackets

SMB-1000



For mounting floodlights without integral ballasts (less mounting arms and MF-1 fitter) in applications where severe vibrations may present a problem. Bracket is constructed of hot-dip galvanized steel with neoprene pads to absorb shock. Cadmium plated assembly hardware furnished.

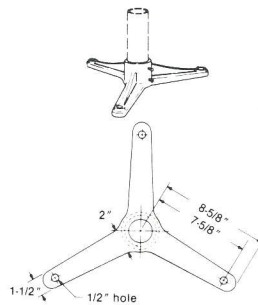
Shpg. wt. 36 lbs.

SMB-400

As above, but for 400 watt floodlights.

Shpg. wt. 31 lbs.

Flat Base Mount

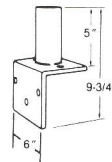


FB-1

Cast aluminum. For 2" standard pipe nipple (limit height to 8"; nipple not included). For installing floodlights on flat surfaces.

Shpg. wt. 4 lbs.

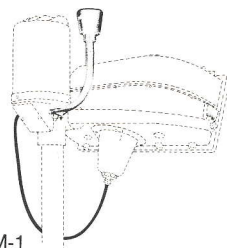
Cross-Arm Bracket



PX-1

Cross-arm bracket with 2" pipe stub, "L" base. Shpg. wt. 4 lbs.

Photoelectric Cell Mounting Bracket

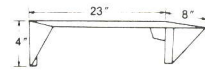


PCM-1

Bracket with standard receptacle for models with integral ballasts. (Photocell not included) Threads into 1/2" NPT hole in ballast base or mast fitter.

Shpg. 26. 1-1/2 lbs.

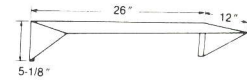
Shields



SK-40

Cutoff shield for 400 watt floodlights; directs, limits light patterns; provides precise vertical cutoff without distortion of lateral pattern. May be readily installed in the field.

Shpg. wt. 3 lbs.

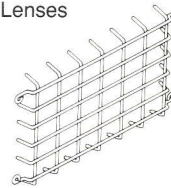


SK-100

Same as above, except for 1000 watt floodlights.

Shpg. wt. 5 lbs.

Wire Guards and Auxiliary Lenses



WG-10-F

Wire guard for 1000 watt floodlights; 10 gauge steel, bright zinc electroplated after fabrication. Furnished with self-tapping screws.

Shpg. wt. 1 lb

WG-4-F

As above, but for 400 watt floodlights.



AL-10-F

Auxiliary lens for 1000 watt floodlights. 1/4" thick impact-resistance polymer lens, furnished with mounting hardware for easy field attachment.

Shpg. wt. 2 lbs.

AL-4-F

As above, except for 400 watt floodlights.

Note: Accessories such as auxiliary lens, wire guards or shields are for independent use only.

WideLite®

WIDE-LITE
P.O. BOX 606
SAN MARCOS, TEXAS 78666
(512) 392-5821, TELEX 776-479

All Specifications And
Dimensions Subject To
Change Without Notice

BULLETIN 0343-1088
Printed in USA
Copyright 1988