

GE
Lighting Solutions

Sports & Stadium Lighting

Ultra-Sport™ (ULTE, ULTI, ULTK, ULTR & ULTS)



imagination at work



Product Features

GE Sports Flood Lighting is the premium lighting solution for professional arena applications. Combining state-of-the-art lamp, optical and ballast technology, packaged together for unmatched light output and efficiency, with excellent visibility for player, spectators and television broadcasting.

Applications

- IESNA Class III to major stadiums where premium quality lighting and excellent glare control are required
- Large stadiums and indoor arenas where color TV (CTV) recording and broadcasting will be common, and excellent color and vertical illumination are required
- Sports fields and arenas where optional instant hot restart is desired

Ratings

- /c  1598 Listed Suitable For Wet Locations

Reflectors

- High reflectance coated glass primary reflector, ALGLAS™ finish on 20-inch (508mm) diameter aluminum front secondary reflector

Unique Features

- Optional internal glare/spill light control arc cutoff skirts
- Rear re-lamping door with corrosion-resistant fasteners and lamp power disconnect
- Broken Glass Shutdown Circuit
- Optional Instant Hot Restart
- Compact die-cast aluminum integral ballast housing with thermally isolated optical
- Utilizes advanced 2000 and 1500 watt double-ended metal halide lamp
- Hydro*Gard™ advanced filtering system
- Remote ballast system available—contact factory
- Magnapack packaging available

Ordering Number Logic

Ultra-Sport™ (ULTE, ULTI, ULTK, ULTR & ULTS)



PROD. ID	WATTAGE	LIGHT SOURCE	VOLTAGE	BALLAST TYPE	OPTICAL	OPTIONS
ULTS = Ultra-Sport (See Note #1)	51 = 1500 02 = 2000	M = MH	60Hz 0 = 120/208/ 240/277 Multivolt 1 = 120 2 = 208 3 = 240 4 = 277 5 = 480 D = 347 T = 220 50Hz 6 = 220 R = 230 Y = 240	See Ballast and Photometric Selection Table A = Autoreg B = System 2™ Bi-Level Controls Autoreg NOTE: Not available with ULTK, ULTR, or ULTT (Hot Restart) K = Hot Restart for ULTE	S01 = Stadium Oval without Internal Glare Control (NEMA 4X2) S02 = Stadium Oval with Internal Glare Control (NEMA 4X2) M01 = Medium Oval without Internal Glare Control (NEMA 4X2) M02 = Medium Oval with Internal Glare Control (NEMA 4X2) W01 = Wide Oval without Internal Glare Control (NEMA 5X3) W02 = Wide Oval with Internal Glare Control (NEMA 5X3) WW1 = Extra wide oval without Internal Glare Control (NEMA 5X4) WW2 = Extra wide oval with Internal Glare Control (NEMA 5X4)	F = Fusing (Not available with multivolt nor with Instant Hot Restart) P = Pre-wired with 6-ft (2M) #14/3
ULTK = Ultra-Sport with Instant Hot Restart (See Note #1, 4, 5)		NOTE: Lamp orientation is horizontal ±4 degrees Standard: Lamp installed in socket.				
ULTI = Ultra-Sport Indoor Remote Ballast (See Note #2) Contact Factory						
ULTR = Ultra-Sport Indoor Remote Ballast with Instant Hot Restart Max. Ambient 40°C 1500W (See Note #2, 4, 5) Contact Factory						
ULTE = Ultra-Sport with Integral Encapsulated Ballast. (See Note #3)						
NOTE: 2000 watt Remote Ballast version is non-UL.						
NOTE: 1. Outdoor Use only 2. Max 55°C ambient 3. Contact factory 4. Must have "P" option. 5. Multivolt not offered.						

Ballast and Photometric Selection Table

All light sources are clear unless otherwise indicated.

Wattage	Light Source	Ballast Type All Voltages	Socket Position	Photometric Curve Number 35-xxxxxx (Actual Beam Angle in Degrees)							
				S01	S02	M01	M02	W01	W02	WW1	WW2
1500	MH	A,B**	Fixed	452810	452811	452812	452813	452814	452815	452816	452817
2000*	MH	A,B**	Fixed	179085 (61x21)	179086 (65x22)	179087 (64x24)	179088 (70x24)	179089 (81x38)	179090 (81x37)	179412 (73x53)	179413 (74x54)

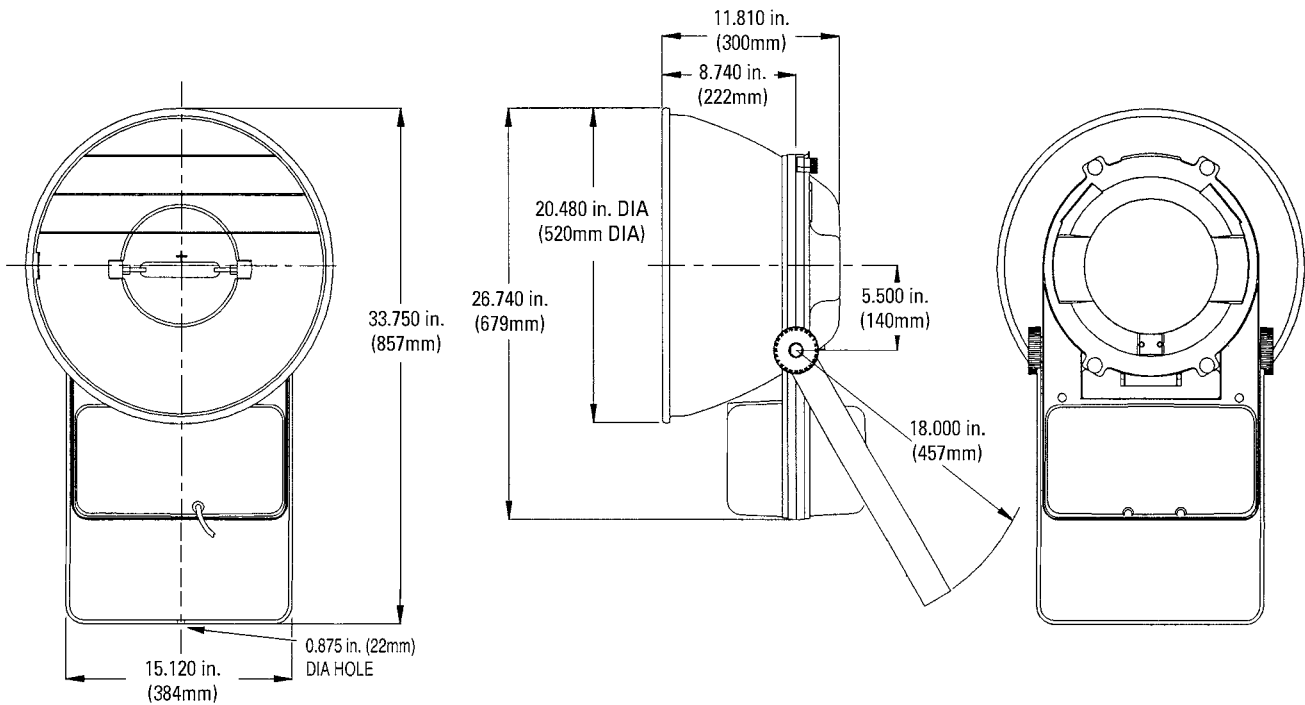
NOTE: †Not available in 220 volt or in Hot Restart versions.

*Not available in multivolt or single 120 volt.

**Bi-Level not available with Instant Hot Restart

Product Dimensions

Ultra-Sport™ (ULTE, ULTI, ULTK, ULTR & ULTS)



DATA	Approximate Net Weight:
	ULTS 75 lbs (34) kgs
	ULTK, ULTE 80 lbs (36.4) kgs
	Effective Projected Area:
	ULTO, ULTI 55 lbs (25) kgs
	ULTT, ULTR 60 lbs (27.2) kgs



GE Lighting Solutions • 1-888-MY-GE-LED • www.gelightingsolutions.com

1-888-69-43-533

GE Lighting Solutions, LLC is a subsidiary of the General Electric Company. The GE brand and logo are trademarks of the General Electric Company.
 © 2012 GE Lighting Solutions, LLC. Information provided is subject to change without notice. All values are design or typical values when measured under laboratory conditions.