



DECO[®] | LIGHTING

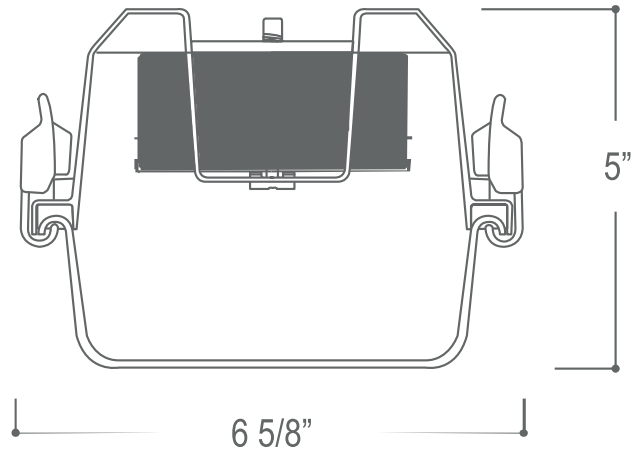
DWH-LED

Industrial/Vapor Tight LED



Job Information

Type:	
Catalog #:	
Project:	
Comments:	
Prepared by:	



Description

The DWH series is an energy efficient industrial vaportite fixture that features rugged and durable construction. This series incorporates a full metal fixture housing channel inside a reinforced fiberglass housing with a high impact diffuser and positive cam latching. The DWH series is suitable for interior and exterior applications and can be surface or chain mounted. This fixture has been designed for maximum performance in commercial, institutional and industrial environments where weathering, high temperature, humidity and dust or corrosive fumes are present.

Ordering Information

Example: (DWH-LED-4-60-40-UNV-DM)

DWH-LED

Series	Length	Wattage/Lumen	Color Temp.	Voltage	Options	
Industrial Vaportite LED	2' 2'	22	22W/2574 ¹	30	3000K	DM Dimming (0-10V) CSC Control Scope Connected EM Emergency MS Motion Sensor ² MB Mounting Bracket
		35	35W/4060 ¹	35	3500K	
	4' 4'	45	45W/5264 ^{1,3}	40	4000K	
		60	60W/6720 ¹	50	5000K	
		60	60W/6720 ¹			
	8' 8'	90	90W/8412 ¹			

¹ Delivered Lumens (5000K)

² Utilizes Wattstopper FSP-211 sensor

³ DLC Listed (View matrix on 2nd page for more info)



Deco Lighting practices a program of continuous product development, and as a result product specifications change frequently. We reserve the right to change product specifications without notice. Contact Deco for the latest product information.

©2018 Deco Lighting, www.getdeco.com T: (800) 613-DECO F: (310) 366-6855
 Rev Date: 01/10/18 #2

Digitize your light.[®]

Features

- Equipped with energy saving ballasts/complies with federal energy efficiency standards.
- Reinforced fiberglass housing.
- High impact acrylic/15% DR diffuser material standard. High impact 50% & 100% DR available.
- Continuous polyurethane gasketing formed to housing provides a seamless seal.
- Watertight hubs standard at each end accepts .5" conduit.

- Optional top only hub entry or combination top and end hub entry available.
- Die formed galvanized steel mounting brackets with each fixture.
- Baked white enamel finish internal channel/high reflectance.
- No holes required for surface/chain mounting.
- Unitized internal/external brass mounting stud for structural integrity and continuity of ground.
- UL listed for wet locations, NSF Approved for Splash and Non-food Zones.

Performance Data

CRI:	80+
CCT:	3000K, 3500K, 4000K, 5000K
Warranty:	10 yr. Limited Warranty
Dimming:	Available with 0-10V inputs dimming down to 10%
Operating Temperature:	-40°C to 55°C Ambient
Projected Lifetime:	136,000 Hours (L70); 86,000 Hours (L80)
IP Rating:	IP67 rating
Sound Rating:	Class A (inaudible in a 24dB ambient environment)

Lumen Chart

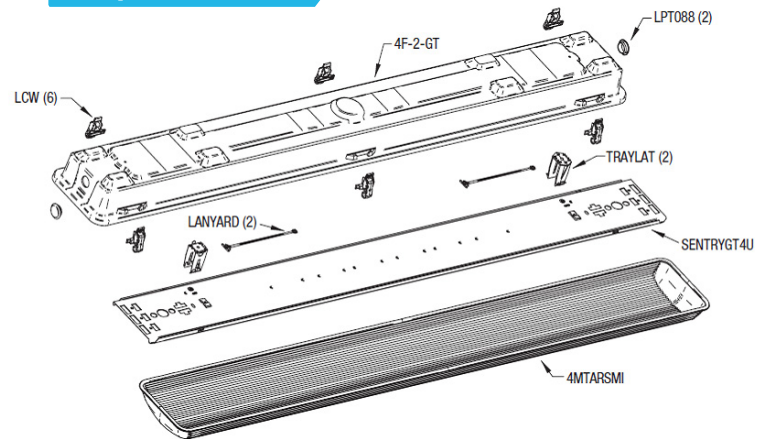
Lumen Chart				
Wattage	5000K	4000K	3500K	3000K
22	2574	2445	2384	2325
35	4060	3857	3761	3667
45	5264	5014	4889	4766
60	6720	6384	6224	6069
90	8412	7648	7457	7270

*Lumen outputs are based on the 5000K performance data and then scaled down to the other temperatures.

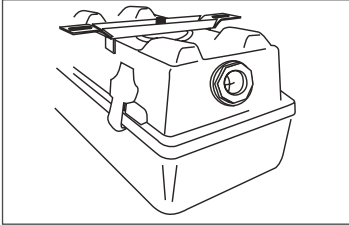
DLC Listing

	4'
	45W
3000K	
3500K	
4000K	X
5000K	

Exploded View

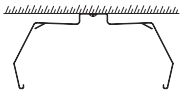


Options

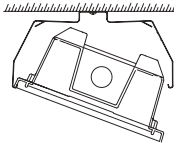
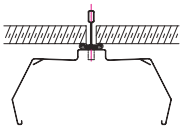


Mounting Bracket - MB

Mounting Bracket Installation

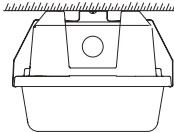


Install Mounting Bracket
 - Screw Hardware by Others
 - T-Bar Mounting Hardware by Others

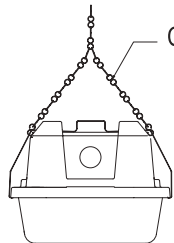


Install One Side of
 Housing into Bracket

Rotate Up and Snap Other
 Side of Housing into Bracket



Install diffuser once unit
 is securely installed with bracket.



Chain & S Hook by Others

Step Dimming & Bi-Level

FSP-211B-D

The FSP-2x1B is a family of passive infrared (PIR) outdoor sensors that raise or lower the electric lighting level to high, low or off based on motion and/ or daylight contribution. Typically, once the sensor stops detecting movement and the time delay elapses, lights will first fade to low mode, and eventually switch off. When motion is detected, the sensor ramps the light level to high mode unless the daylight contribution is sufficient.

The integral photocell can also switch the lights on and off for dusk to dawn control, so that lighting remains on overnight even without motion detection.

The sensors control 0-10VDC or nondimming LED drivers or ballasts. The low voltage FSP-201B may be used with dim-to-off drivers or ballasts.

Initial setup and subsequent sensor adjustments are made using a Wireless Handheld Configuration Tool (FSIR-100). This tool enables adjustment of sensor parameters including high/low mode, sensitivity, time delay, cut off and more.

The FSIR-100 can read current parameter settings, and stores up to six sensor parameter profiles to speed commissioning of multiple sensors.

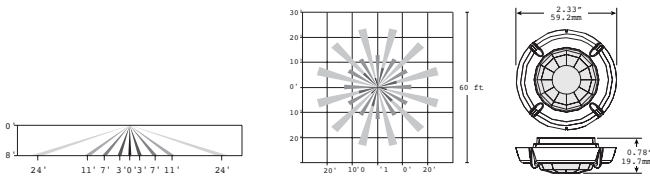
The FSP-2x1B family is available in three configurations for mounting inside a fixture, to the outside of a fixture or enclosure via a 1/2" knockout, or to a pole.



Coverage & Dimensions

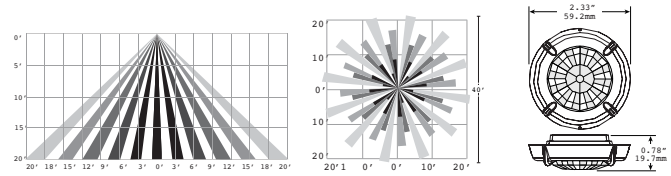
The FS-Lx lenses work with FSP-211 motion sensors to provide multi-level lighting control based on motion and the ambient light level. Four lens choices provide flexibility for varying mounting heights.

FSP-L2



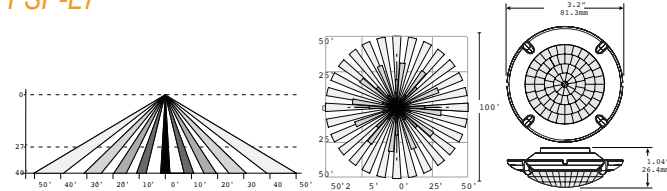
360° lens, maximum coverage 48' diameter from 8' height

FSP-L3



360° lens, maximum coverage 40' diameter from 20' height

FSP-L7



360° lens, maximum coverage 100' diameter from 40' height