

GE
Lighting Solutions

Area Lighting

Decashield™ 1000 (DSA)



imagination at work

Product Features

Designed for superior photometric performance and architectural appeal, GE Outdoor Area Sighlighters provide broad application flexibility. From parking lots to downtown areas, hospitals to shopping malls, business complexes to residential neighborhoods, these fixtures will satisfy your large area lighting needs, while complementing your aesthetic desires.

Applications

- High wattage site lighting including parking areas, roadways, automobile lots, tennis courts, malls and commercial complexes

Housing

- Precision engineered aluminum housing featuring die-cast ends and die-cast door frame

Finish

- Polyester powder paint finish in dark bronze, black, gray, white or aluminum

Rating

-  /  1598 Listed Suitable for Wet Locations

Mounting

- Decorative Mounting Arm (4 in. [103mm], 8 in. [203mm] or 12 in. [305mm]) (Drilling templates are the same for the Decashield™ 400 and Dimension™ luminaires.)

Reflectors

- All reflectors are field rotatable (90° increments)

Unique Features

- No-tool access stainless steel latch design
- Broken Glass Shutdown Circuit
- Heat and impact resistant tempered flat glass lens
- Removable ballast tray—standard
- Utilizes standard 1000 watt lamps
- Available with Type I, Type II, Type III or Forward Throw
- Enclosed and gasketed housing
- Mogul base socket – E39 standard
- Magnapack packaging available

Ordering Number Logic

Decashield™ 1000 (DSA)



DSA

G

PROD. ID	WATTAGE	LIGHT SOURCE	VOLTAGE	BALLAST TYPE SELECTION	PE FUNCTION	LENS TYPE	IES DISTRIBUTION TYPE	COLOR	MOUNTING ARM LENGTH	OPTIONS
DSA = Decashield 1000 Luminaire with Arm Mounting	75 = 750 01 = 1000	S = HPS M = MH P = Pulse MH Standard: Mogul base lamp not included.	60Hz 0 = 120/208/240/277 Multivolt 1 = 120 2 = 208 3 = 240 4 = 277 5 = 480 D = 347 F = 120X347 T = 220 50Hz 6 = 220 R = 230 Y = 240 NOTE: 120 X 347 connected for 120V	See Ballast and Photometric Selection Table A = Autoreg H = HPF Reactor or Lag P = CWI with Grounded Socket Shell	1 = None 2 = PE Receptacle 4 = PE Receptacle and Shorting Cap NOTE: Receptacle connected same voltage as unit.	G = Flat Glass	See Ballast and Photometric Selection Table MC1 = Medium Cutoff Type I * SC2 = Short Cutoff Type II * MC2 = Medium Cutoff Type II * MC3 = Medium Cutoff Type III * FWT = Forward Throw * * = Previously IESNA Full Cutoff Optics	AL = Aluminum BL = Black DB = Dark Bronze (Standard) CG = Charcoal Gray WH = White	1 = 4 in.(102mm) for Singles Two at 180° 2 = 12 in. (305mm) for Two at 90° Tri-Fixture Poles Quad-Fixture Poles 3 = 8 in. (203mm) for Singles Two at 180° 4 = 4 in. (102mm) for Round Pole 5 = 12 in. (305mm) for Round Pole 6 = 8 in. (203mm) for round Pole R = No arm. Housing drilled with diagonal hole pattern	B = Time Delay, Automatically Switched Quartz F = Fusing (Not available with multivolt or 120X347V) J = Line Surge Protector, Expulsion Type (UL not available)

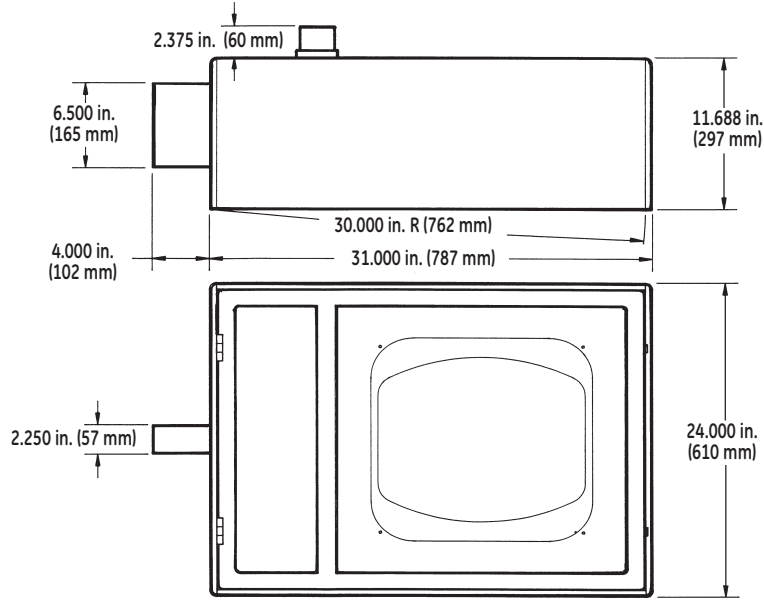
Ballast and Photometric Selection Table

All light sources are clear unless otherwise indicated.

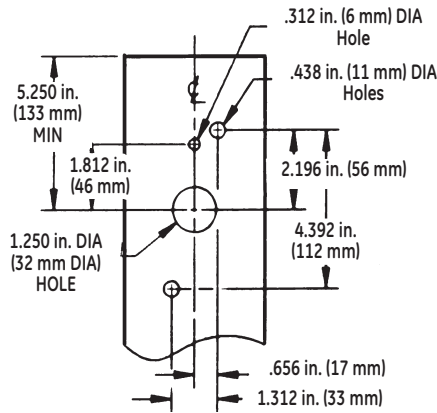
Wattage	Light Source	Ballast Type/Voltage					IES Distribution Type							
		60Hz			50Hz		Photometric Curve Number 35-							
		Multivolt	120, 208, 240, 277, 480	347, 120X347	220	220	230	240	MC1	SC2	MC2	MC3	FWT	
750	HPS	N/A	A,H	A,H	N/A	N/A	N/A	N/A	N/A	N/A	178979	N/A	178985	
1000	HPS	A	A	A	N/A	A	A	A	N/A	178980	178988	178993	178986	
1000	MH	A, P	A	A	A	A	A	A	N/A	178981	N/A	N/A	178982	
1000 (BT37)	MH	A, P	A	A	A	A	A	A	178978	N/A	N/A	N/A	178987	
1000	PMH	A	A	A	N/A	N/A	N/A	N/A	N/A	178981	N/A	N/A	178982	
1000 (BT37)	PMH	A	A	A	N/A	N/A	N/A	N/A	178978	N/A	N/A	N/A	178987	

NOTE: N/A = Not available

Product Dimensions

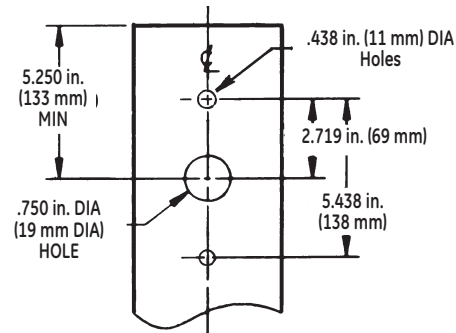


SQUARE POLE MOUNTING: STANDARD (choices 1, 2, 3 from Logic Table)



DRILLING TEMPLATE

ROUND POLE MOUNTING 3.5 to 4.5-inch (89 to 114mm) OD round pole mounting arm (choices 4, 5, 6 from Logic Table)



DRILLING TEMPLATE FOR ROUND POLES

DATA

- Approximate Net Weight: 60-70 lbs (27-32 kgs)
- Suggested Mounting Height: 30-50 ft. (9-15 M)
- Effective Projected Area:

No Mounting Arm	2.6 sq. ft. max. (0.24sq. M max.)
Single with 4 in. (102mm) Mounting Arm	3.0 sq. ft. max. (0.29 sq. M max.)
Double with 4 in. (102mm) Mounting Arm at 180°	6.0 sq. ft. max. (0.56 sq. M max.)
Double with 4 in. (102mm) Mounting Arm at 90°	4.5 sq. ft. max. (0.42 sq. M max.)
Single with 12 in. (305mm) Mounting Arm	3.2 sq. ft. max. (0.30 sq. M max.)
Double with 12 in. (305mm) Mounting Arm at 180°	6.4 sq. ft. max. (0.59 sq. M max.)
Triple with 12 in. (305mm) Mounting Arm at 90°	8.0 sq. ft. max. (0.74 sq. M max.)
Quad with 12 in. (305mm) Mounting Arm at 90°	9.3 sq. ft. max. (0.86 sq. M max.)
Double with 12 in. (305mm) Mounting Arm at 90°	4.8 sq. ft. max. (0.45 sq. M max.)

NOTE: The wind loading of Decashield Luminaires, when mounted to poles in multiples radially about the axis of the pole, do not necessarily have the EPA of a single luminaire multiplied by the number of luminaires.



GE Lighting Solutions • 1-888-MY-GE-LED • www.gelightingsolutions.com

1-888-69-43-533

GE Lighting Solutions, LLC is a subsidiary of the General Electric Company. The GE brand and logo are trademarks of the General Electric Company.
© 2012 GE Lighting Solutions, LLC. Information provided is subject to change without notice. All values are design or typical values when measured under laboratory conditions.